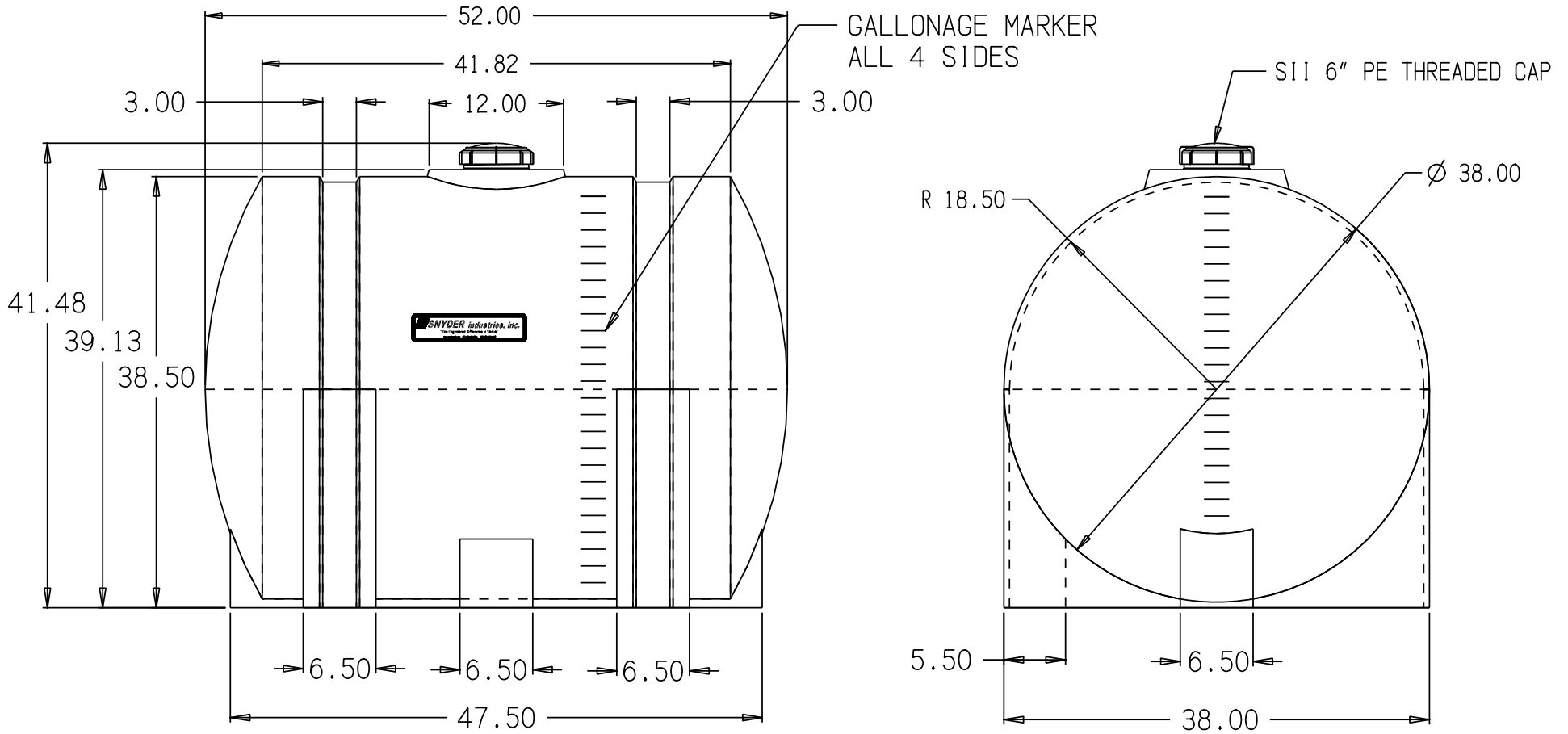


APPROX. BRIMFUL CAPACITY:  
TANK: 232.2 GAL.

SNYDER INDUSTRIES INC.



\* BASE FITTINGS TO BE LEFT INSTALLED AT TIME OF SHIPMENT PER SII PROCEDURE

\* Consult Snyder's Guidelines for Use and Installation prior to delivery. Available on-line at [www.snydernet.com](http://www.snydernet.com)  
ALL DIMENSIONS, DESIGNS, AND INFORMATION ON THIS PRINT MUST BE CONSIDERED PROPRIETARY TO SNYDER INDUSTRIES, INC.  
AND MAY NOT BE USED, COPIED, OR DISTRIBUTED WITHOUT WRITTEN PERMISSION OF AN OFFICER (OR HIS AGENT) OF THE FIRM.

(all dimensions in inches)

PART # TANK: 1003900N-- (M)

225 GALLON HORIZONTAL LEG TANK

REF#: 00000

02/22/12