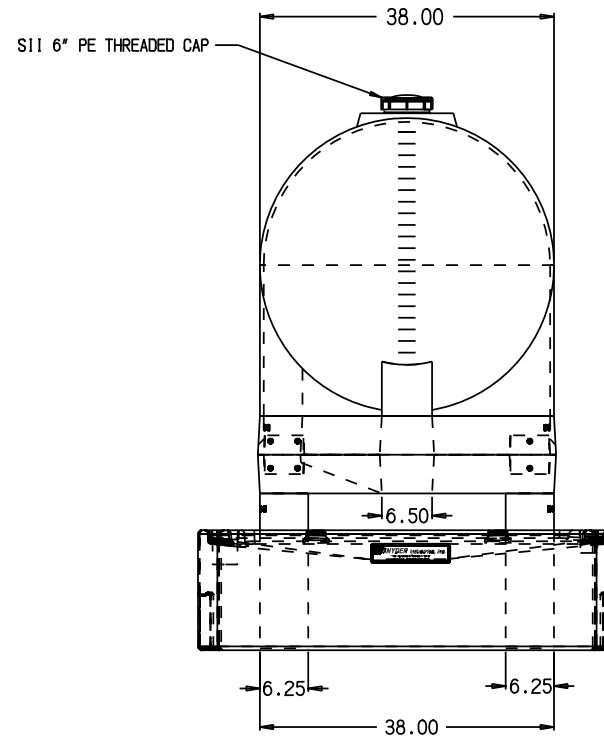
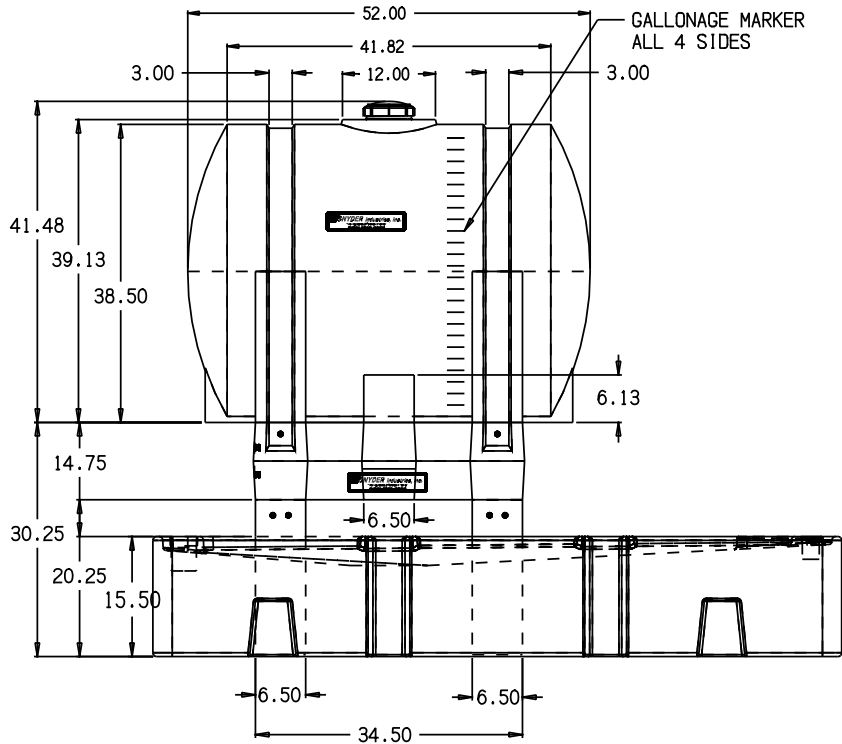
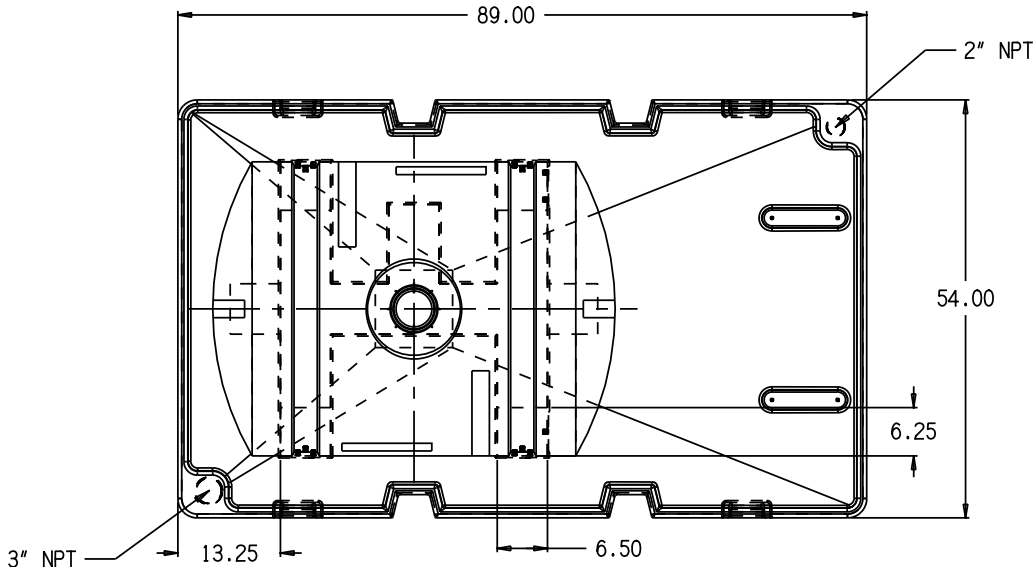


APPROX. BRIMFUL CAPACITY:
 TANK: 232.2 GAL.
 CONTAINMENT: 300.9 GAL.

SNYDER INDUSTRIES INC.



(all dimensions in inches)

PART #	TANK:	1003900N--
	STAND:	1004000N--
	CONTAINMENT:	1004600N--
REF#:	0000	02/22/12

* BASE FITTINGS TO BE LEFT INSTALLED AT TIME OF SHIPMENT PER S11 PROCEDURE
 * Consult Snyder's Guidelines for Use and Installation prior to delivery. Available on-line at www.snydernet.com
 ALL DIMENSIONS, DESIGNS, AND INFORMATION ON THIS PRINT MUST BE CONSIDERED PROPRIETARY TO SNYDER INDUSTRIES, INC.
 AND MAY NOT BE USED, COPIED, OR DISTRIBUTED WITHOUT WRITTEN PERMISSION OF AN OFFICER (OR HIS AGENT) OF THE FIRM.

225 GALLON HORIZONTAL LEG TANK, STAND, & CONTAINMENT