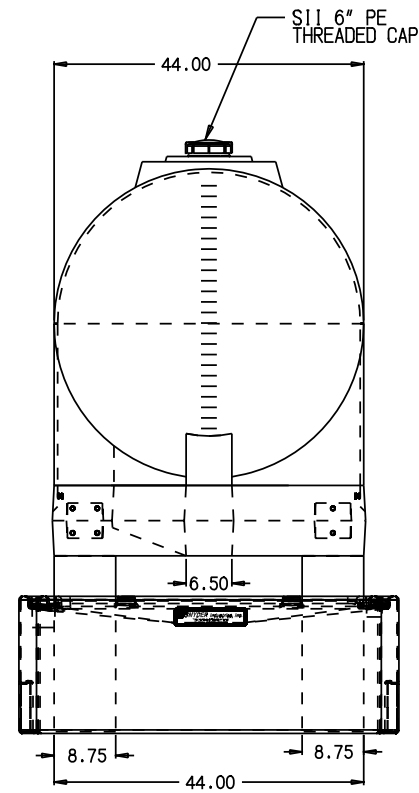
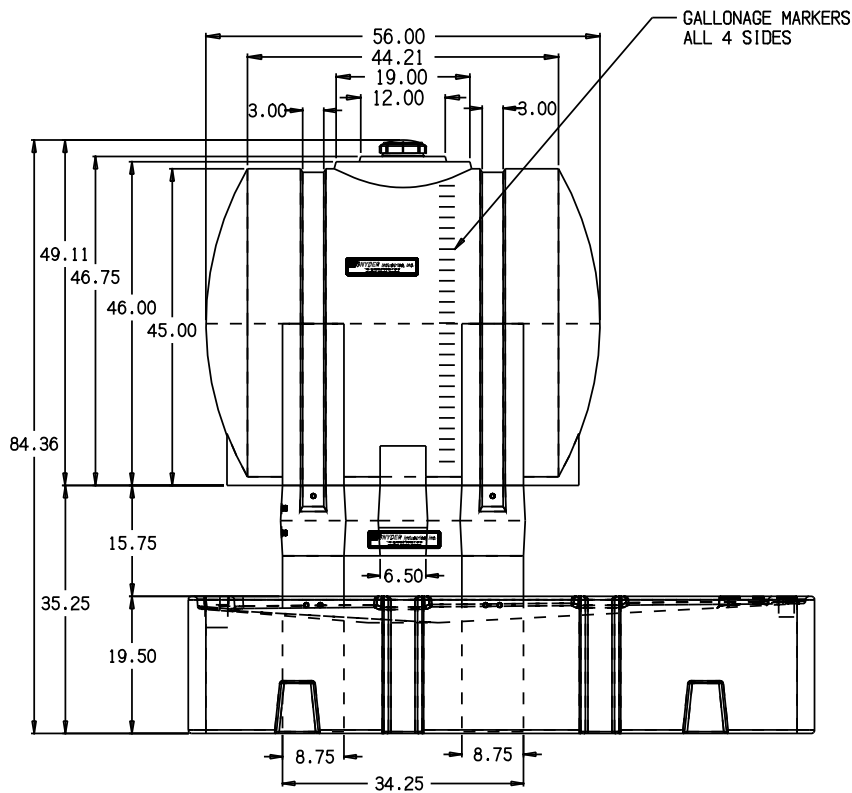
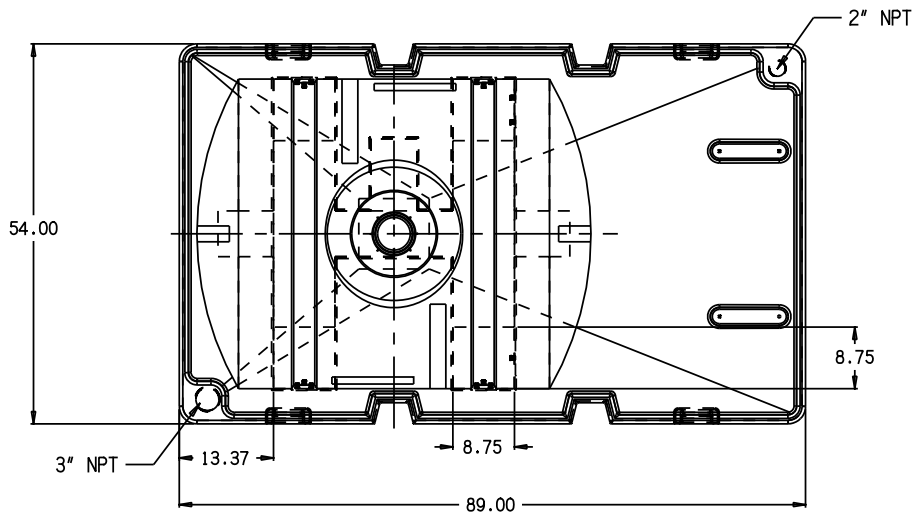


APPROX. BRIMFUL CAPACITY:
 TANK: 339.9 GAL.
 CONTAINMENT: 381.0 GAL.

SNYDER INDUSTRIES INC.



* BASE FITTINGS TO BE LEFT INSTALLED AT TIME OF SHIPMENT PER SII PROCEDURE

* Consult Snyder's Guidelines for Use and Installation prior to delivery. Available on-line at www.snydernet.com (all dimensions in inches)
 ALL DIMENSIONS, DESIGNS, AND INFORMATION ON THIS PRINT MUST BE CONSIDERED PROPRIETARY TO SNYDER INDUSTRIES, INC. AND MAY NOT BE USED, COPIED, OR DISTRIBUTED WITHOUT WRITTEN PERMISSION OF AN OFFICER (OR HIS AGENT) OF THE FIRM.

335 GALLON HORIZONTAL LEG TANK, STAND, & CONTAINMENT

PART #	TANK:	1004100N--
	STAND:	1004200N--
	CONTAINMENT:	1004700N--
REF#:	0000	02/22/12