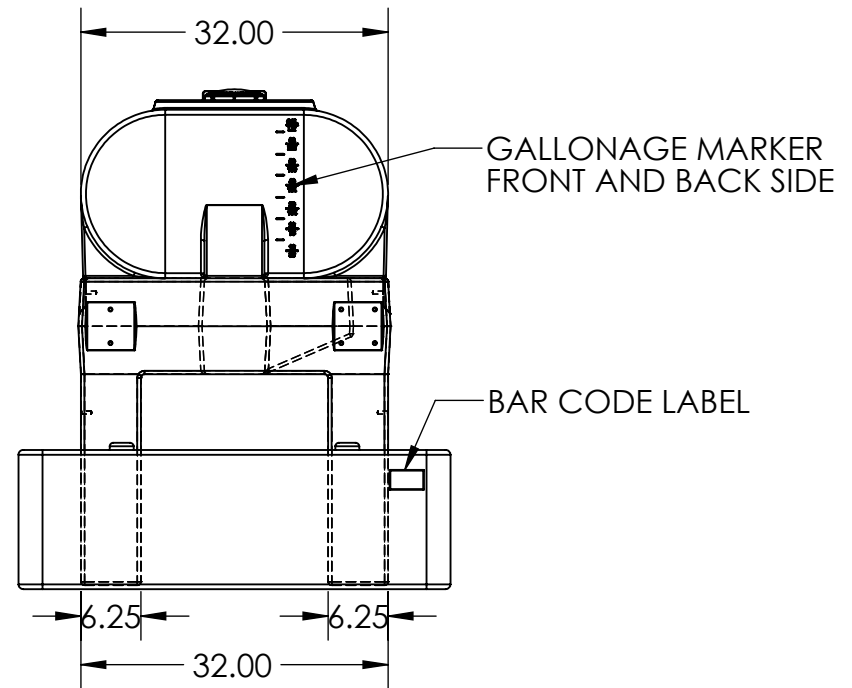
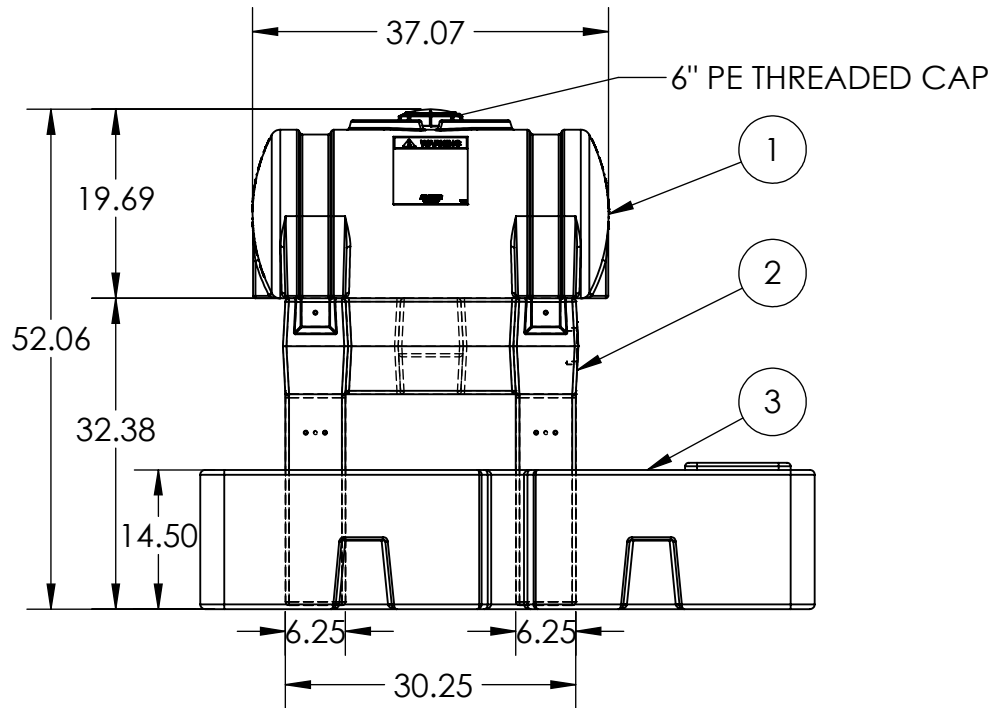


ITEM NO.	PART NUMBER	Description	QTY.
1	1031500N	ASM TK 65HL X 32 NH	1
2	1003700N	ASM STAND 125HL X 32 STAND	1
3	1003800N	ASM 125HL/STAND CONTAINMENT	1

APPROXIMATE BRIMFUL CAPACITY:  
 TANK: 72 GAL.  
 CONTAINMENT: 167.1 GAL.



**\*ONLY BASE FITTINGS TO BE LEFT INSTALLED AT TIME OF SHIPMENT PER SII PROCEDURE.**  
**\*Consult Snyder's Guidelines for Use and Installation prior to delivery.**  
 Available on-line at [www.snydernet.com/industrial\\_tanks\\_snyder.htm](http://www.snydernet.com/industrial_tanks_snyder.htm)

**ALL DIMENSIONS ARE IN INCHES, NOMINAL, & SUBJECT TO CHANGE WITHOUT NOTICE.**  
**ALL DIMENSIONS ON ROTATIONAL MOLDED PARTS ARE SUBJECT TO A ± 3% TOLERANCE.**

DO NOT SCALE	DRAWN BY	DATE		TITLE:	REVISION
Released	SB	06/19/2013		<b>ASM 65HL/STAND/CONTAINMENT</b>	<b>AA</b>
© SNYDER INDUSTRIES INC., 2013			4700 Fremont Street Lincoln, NE 68516 (402) 467-5221 <a href="http://www.snydernet.com">www.snydernet.com</a>	PART NO.	ENG. ID.
ALL DIMENSIONS, DESIGNS, AND INFORMATION ON THIS PRINT MUST BE CONSIDERED PROPRIETARY TO SNYDER INDUSTRIES, INC. AND MAY NOT BE USED, COPIED, OR DISTRIBUTED WITHOUT WRITTEN PERMISSION OF AN OFFICER (OR HIS AGENT) OF THE FIRM.				<b>1031500N</b>	<b>D000605</b>
					SHEET 1 OF 1